



Canon



REMOTE CAMERA CR-N500

Installation Guide Important Information

© CANON INC. 2021

Printed in Japan

This "Installation Guide/Important Information" is comprised of pages [1/2] and [2/2]. Please be sure to read the "Safety Precautions" section for correct use. After reading this "Installation Guide/Important Information", keep it in a readily accessible location for future reference. This camera is for indoor use only.

- The cameras described in this document may include models not available in your country and/or region.
- HDMI is a trademark or registered trademark of HDMI Licensing Administrator, Inc. in the United States and other countries.
- All other company or product names used in this document are trademarks or registered trademarks of their respective holders.
- The contents of this document are subject to change without any prior notice.

The latest user manuals and software, etc. for this product can be downloaded from the following website. The user manuals explain the camera settings and operations. Read them carefully before using the camera to ensure correct use.



List of Downloadable Files

User Manuals

- Settings Guide
- Remote Camera Control Application User Manual

Software

- Camera Search Tool
- Remote Camera Control Application

Firmware

(only provided at time of update)

Check Included Items

- Camera
- Ceiling Plate
- Safety Wire 3 m
- Wire Stopper (for safety wire)
- Camera-to-Mount Safety Wire 10 cm
- M3 Screw x 6 (for camera mounting, camera-to-mount safety wire, and wire stopper x 4)
- Compact Power Adapter
- Power Cable
- IR Remote Controller
- Size AAA Battery x 2 (for IR remote controller)
- Printed Materials

Symbols used in this manual

Parts indicated in the "Installation Guide/Important Information" [2/2] with this icon are not included with the camera, and should be prepared by the user.

Safety Precautions

Warning Failure to follow the instructions may result in death or serious injury.

Do not install in the following places:

- Places in direct sunlight, near heat-generating objects, or locations subject to high temperatures.
- Places near fire sources or flammable solvents (alcohol, thinner, fuel, etc.).
- Humid or dusty places.
- Places subject to oily smoke or steam.
- Confined or enclosed places.

Failure to do so may result in fire or electric shock.

Notes on installation at high places

- For installation or inspection of this camera, consult the dealer where you purchased the product.
- Install the camera in a way that ensures sufficient holding strength according to the mounting place such as the wall, ceiling, etc. Also, make sure that the mounting place can sufficiently support the total weight including the mounting parts and reinforce it if necessary.
- Prepare fixing screws suitable for the location and type of surface the camera is to be installed.
- Periodically check the mounting brackets and screws for rust and loosening.
- Do not install in unstable places, places subject to significant vibration or impact, or places subject to salt damage or corrosive gas.
- Be sure to attach the safety wire when installing the camera.
- Use the included ceiling plate to install the camera. Do not install it with only the tripod screws.

Failure to do so may result in the camera falling or other accidents.

General notes on the camera

- If any defective conditions such as smoke, strange sounds, heat, strange odors, damage or cracks on the external case are discovered, immediately stop using the camera, unplug the power cable from the outlet (or the LAN cable for PoE+ power supply), and contact your nearest dealer. Place the compact power adapter near the power outlet and avoid placing objects around the power plug so that the power can be turned off immediately in the event of an emergency.
- Do not touch the camera or the connecting cables during a thunderstorm.
- Do not disassemble or modify the camera.
- Do not scratch, pull, or forcefully bend the cables, or put a load on their connections.
- Do not spray the camera with water, or otherwise make it wet.
- Do not touch the camera, the compact power adapter, cable connectors, power plugs, or power outlets with wet hands.
- Do not allow water, metal or other foreign objects to enter the camera.
- Do not use flammable sprays near the camera.
- Do not leave the compact power adapter (or the LAN cable for PoE+ power supply) connected when the camera is not in use for long periods.
- Do not use flammable solvents such as alcohol, paint thinner or benzene when cleaning the camera.
- Do not block the air intake or air exit vents.

Failure to do so may result in fire or electric shock.

Notes on Power Supply

- Use only the included compact power adapter when using an AC adapter.
- The included compact power adapter and power cable are for this product only. They cannot be used for other devices.
- Do not place heavy objects on the power cable (or the LAN cable for PoE+ power supply) or pull, forcibly bend, scratch or modify it.
- Do not allow metal pins or debris to touch the power plug or terminals.
- Wipe any dust off of the power plug. Also, if the connection is made to the power outlet in a dusty area, take measures to prevent tracking.
- Make sure the power plug (or the LAN cable for PoE+ power supply) is seated all the way, and do not use it when the insertion is insufficient.
- Do not use a damaged power plug or a loose power outlet, or use it in a manner that exceeds the rating of the wiring device such as connecting multiple plugs to an outlet.

Failure to do so may result in fire or electric shock.

Notes on batteries

- Do not put batteries in the fire, or do not heat, short circuit or disassemble them.
- Do not charge the included batteries.
- Do not use batteries other than those specified.

Failure to do so may result in fire or electric shock.

Do not use the product at:

- Places where the use is prohibited, such as in hospitals and on airplanes.
- Places within reach of babies and toddlers.

Use at such places can cause equipment to malfunction due to radio waves and lead to accidents, or cause electric shock and injuries.

Caution Failure to follow the instructions may result in injuries or property damages.

Notes on installation

- Installation must be carried out safely and securely in accordance with the relevant regulations for technical standards of electrical installation.

Failure to do so may result in accidents.

Notes on installation

- Take care not to damage wiring or piping.

Failure to do so may result in damage to surrounding items.

General notes on the camera

- Do not touch the edges of metal parts with bare hands.
- Be careful not to get your fingers caught when installing.

Failure to do so may result in injuries.

Notes on batteries

- Remove the batteries when they have been used up or will not be used for a long time.
- When replacing the batteries, replace both batteries at the same time. Also, do not use different types of batteries together.
- Make sure + and - of the battery are oriented correctly.
- If any liquid from inside the battery gets on your body due to leakage, rinse it off thoroughly with water.

Failure to do so may result in injuries and malfunctions.

Important

- Do not install the camera in places where radiation, X-rays, strong radio waves or strong magnetism are generated. It may cause video and audio disturbance, noise, or malfunctions.
- We recommend the installation of a lightning arrester (a surge protection device) as a measure against failures caused by lightning strikes.
- Take measures to remove static electricity before performing any procedures.
- Do not connect the compact power adapter to a transformer.
- If there is condensation, please wait to power on, until the condensation dissipates.
- Do not hold the device by the camera head.
- Do not turn the camera rotator by hand.
- After turning off the power, do not turn the power on again for at least five seconds.
- Do not point the camera at strong light sources (such as the sun on a clear day or strong artificial light sources). Internal components such as the image sensor could be damaged.
- Do not carry the camera on a tripod.

Precautions for Use (Disclaimer)

- When using this product, please give due consideration to the shooting method from the viewpoint of protecting privacy and preventing infringement of rights such as portrait rights.
- Canon shall assume no responsibility for any conflict between the user and a third party regarding the installation of this product by a third party other than Canon, or shooting, distribution or recording using this camera.
- The user is responsible for the network security of this product and its use. Take appropriate network security measures to avoid security breaches. To the full extent permitted by laws and regulations, neither Canon Inc. nor any of its subsidiaries or affiliates shall be liable for any losses, direct, incidental or consequential damages, or liabilities that may be incurred as a result of network security incidents such as unauthorized accesses.
- High-precision video transmission is not guaranteed because the video could be delayed or missing depending on the PC or network environment.
- Videos, images or sounds recorded with your camera may not be utilized or published without consent of copyright holders, if any, except in such a way as permitted for personal use under the relevant copyright law.
- This product is subject to security export control. Therefore, to export or carry it overseas may require an authorization by governmental agencies.
- Dispose of the camera and batteries in accordance with local laws and regulations. Make sure to initialize the camera and delete all the camera settings information before disposing.

To the full extent permitted by laws and regulations, neither Canon Inc. nor any of its subsidiaries or affiliates shall be responsible for any financial losses that may be incurred as a result of the loss of recorded information or images, regardless of the internal or external cause of the loss.

EXCEPT AS SET FORTH IN THE LIMITED WARRANTY ACCOMPANYING THE CAMERA AND WITHOUT DETRACTING FROM ANY RIGHTS A CONSUMER MAY BE ENTITLED TO, AND TO THE FULL EXTENT PERMITTED BY LAWS AND REGULATIONS: (1) NEITHER CANON INC. NOR ANY OF ITS SUBSIDIARIES OR AFFILIATES MAKE ANY WARRANTY OF ANY KIND, EXPRESS OR IMPLIED, WITH REGARD TO THE MATERIAL IN THIS MANUAL OR WITH REGARD TO THE USE OF THE CAMERA INCLUDING, WITHOUT LIMITATION, IMPLIED WARRANTIES AS TO MARKETABILITY, MERCHANTABILITY, FITNESS FOR A PARTICULAR PURPOSE OR USE, OR NON-INFRINGEMENT AND (2) NEITHER CANON INC. NOR ANY OF ITS SUBSIDIARIES OR AFFILIATES SHALL BE LIABLE FOR ANY DIRECT, INCIDENTAL, OR CONSEQUENTIAL DAMAGES OF ANY NATURE RESULTING FROM THE USE OF THIS MATERIAL OR THE CAMERA.

OTHER IMPORTANT INFORMATION: Please see other important information pertaining to the use of this product by reading our Settings Guide, which can also be found at global.canon/ncsp, prior to using this product.

About lamp

Lamp	Lamp status	Status
STATUS lamp	Orange light ON	Standby Power shortage
	Orange light BLINKING	PT position error Firmware being updated Device failure
POWER lamp	Orange light ON	Standby
	Green light ON	Power on
Tally lamp	Red light ON	Distributing data
	Green light ON	Preparing to distribute data

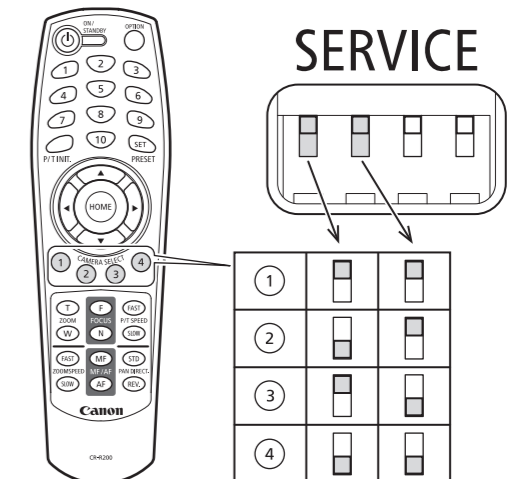
Before using the camera

Initial settings

Be sure to make the initial settings before use. If the initial settings are not made, the video cannot be outputted. Refer to the "Settings Guide" for details.

SERVICE switch settings

Set the camera number to be operated by the IR remote controller. Switches should be set before turning on the power.



Notes for When and After Installing the Camera

When Installing the Camera

Installation at high places

Caution Request a professional installer for all installation work. Never try to install the camera yourself. Doing so may result in unforeseen accidents such as dropping the camera or electric shock.

When installing the camera at a high place, use the ceiling plate to fix the camera. Fix the ceiling plate tightly with four M4 screws (pan head, binding head, etc.).
When working with the camera upside down, support the camera to prevent it from wobbling in order to attach or remove the rubber feet or the camera-to-mount safety wire. Keep the four rubber feet and four screws that have been removed for reuse in case of a change in the installation.

Ceiling mount

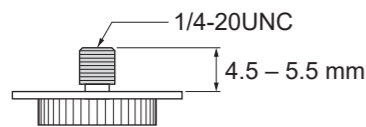
The camera is hung upside down from the ceiling or other location using the ceiling plate.
The procedure provided in the "Installation Guide/Important Information" [2/2] explains this installation method. The weight of the camera (body only) is Approx. 4.1 kg (9.04 lb.). Reinforce the ceiling depending on its structure and material to ensure the sufficient holding strength to support the total weight including the camera and the mounting parts, and install.

Standing mount

The camera is fixed to a high place using the ceiling plate.
Follow the same procedure as for the ceiling mount, except for the direction of the camera and logo plate inversion.

Tripod mount

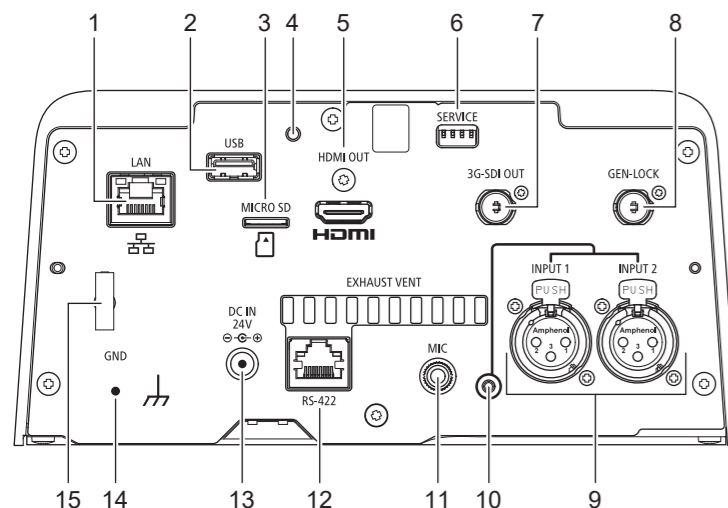
Attach the tripod by fixing two screws to the two screw holes for tripod. Use 1/4-20UNC screws and tighten them securely, and set the tripod on a flat surface with no steps.
Also refer to the instructions in the "Installation Guide/Important Information" [2/2], if necessary.



Desktop

Install the camera on a stable, horizontal surface such as a table.
Also refer to the instructions in the "Installation Guide/Important Information" [2/2], if necessary.

Connecting the Camera



1. LAN terminal

This terminal is for a network connection (RJ-45 connector). The built-in PoE+ (Power over Ethernet+) function allows the camera to be

powered by a PoE+ HUB that complies with IEEE802.3at Type 2 via a LAN cable.
Use a category 5e or higher STP (shielded type) LAN cable, up to 100 meters in length.

Important

- Some PoE+ HUBs can limit the power for each port, but applying limits may interfere with performance. In this case, do not limit the power.
- Some PoE+ HUBs have limits for the total power consumption for the ports, which can interfere with performance when multiple ports are in use. For more information, check the instruction guide for the corresponding PoE+ HUB.

2. USB terminal

For future expansion.

3. Memory card slot

For future expansion.

4. RESET switch

Initialize the camera settings to the factory defaults. Refer to the "Settings Guide" for details.

5. HDMI OUT terminal

Terminal for HDMI output.

6. SERVICE switch

Set the camera number operated by the IR remote controller. (Refer to "Before using the camera" > "SERVICE switch settings".)

7. 3G-SDI OUT terminal

Terminal for 3G-SDI output (BNC).

8. GEN-LOCK terminal

Terminal for the synchronization signal input (BNC) to synchronize the videos from the camera and external devices.
If the reference signal is unstable, external synchronization is not possible. Subcarriers do not synchronize.

9. INPUT1/INPUT2 terminal

XLR terminals for audio input. It can be used for microphone/line input.

- Microphone input: Input impedance 600 Ω \pm 10%
Microphone power (Phantom power): 48 V \pm 1 V
Bias resistance: 6.8 Ω \pm 1%
- Line input: Input impedance 10k Ω \pm 10%

10. LED for phantom power supply

It is lit in blue when the phantom power is supplied.

11. MIC terminal

Stereo Φ 3.5 mm terminal for audio input. It can be used for microphone/line input.

- Microphone input: Input impedance 1.5k Ω or higher
Microphone power: 2.4 V \pm 0.2 V
Bias resistance: 2.2 k Ω \pm 5%
- Line input: Input impedance 1.5 k Ω or higher

12. RS-422 terminal

Serial terminal (RJ-45 connector) for RS-422.

Connect the GNDs on both ends to stabilize the voltage level of the signal. Use category 5e or higher STP cables.

Pin number	Function	
1	TX-	Output (-)
2	TX+	Output (+)
3	RX-	Input (-)
4	GND	-
5	GND	-
6	RX+	Input (+)
7	NC	-
8	NC	-

13. DC IN 24V terminal

Power supply terminal for the compact power adapter.

14. GND terminal

Ground terminal of the camera.
It is used to install a lightning arrester (surge protection devices).

15. Cable clamp

Cable clamp to prevent cord disconnection.

Pass the compact power supply cord through the clamp to prevent the cord from coming off.

Note

- The camera is not equipped with a power switch. To turn the camera on and off, insert and remove the cable of the compact power adapter connected to the "13. DC IN 24V terminal" or the PoE+ HUB connected to the "1. LAN terminal", which supplies power.
When both the PoE+ HUB and the compact power adapter are connected, the compact power adapter takes priority. If the compact power adapter is disconnected while both adapters are connected, power to the camera will be interrupted. In this case, power can be restored by disconnecting and reconnecting the LAN cable.
- The audio input terminals ("9. INPUT1/INPUT2 terminal", "11. MIC terminal") and microphones should be set using the settings page. Refer to the "Settings Guide" for details.

Specifications

Please refer to the 'Specifications' in the 'Appendix' of the "Settings Guide" for specifications not listed below.

Pan operation range: Horizontal \pm 170°
Tilt operation range: Vertical -30° - +90°
Operating Environment: Temperature: 0°C - +40°C (+32°F - +104°F)
Humidity: 10% - 90% (without condensation)
Storage Environment: Temperature: 0°C - +40°C (+32°F - +104°F)
Humidity: 10% - 90% (without condensation)
Power Consumption: PoE+ Input: Approx. 19.6 W* max. (body only)
DC Input: Approx. 18.6 W max. (body only)
*Class 4 (25.5 W required) for power supply devices
Dimensions (W x H x D): Approx. 200 x 269 x 208 mm (7.87 x 10.59 x 8.19 in.) (excluding protrusions)
Weight: Approx. 4.1 kg (9.04 lb.) (body only)

Country Regulations

About wireless communication

Regarding countries and regions where radio communication functions are acceptable

Since the utilization of the radio communication functions can be legally restricted by a country or region, it may not be possible to utilize out of the country or the region where the product is purchased. Canon shall not be liable for any incidents that may incur as a result of the utilization of the radio communication functions in any country or region other than where the product is purchased.

FCC NOTICE

Remote Camera, Model Name: CR-N500

This device complies with Part 15 of the FCC Rules. Operation is subject to the following two conditions: (1) This device may not cause harmful interference, and (2) this device must accept any interference received, including interference that may cause undesired operation.

Note: This equipment has been tested and found to comply with the limits for a Class A digital device, pursuant to Part 15 of the FCC Rules. These limits are designed to provide reasonable protection against harmful interference when the equipment is operated in a commercial environment. This equipment generates, uses, and can radiate radio frequency energy and, if not installed and used in accordance with the user manual, may cause harmful interference to radio communications. Operation of this equipment in a residential area is likely to cause harmful interference in which case the user will be required to correct the interference at his own expense. Do not make any changes or modifications to the equipment unless otherwise specified in the manual. If such changes or modifications should be made, you could be required to stop operation of the equipment.

Use of shielded cable is required to comply with class A limits in Subpart B of Part 15 of FCC Rules.

Model: CR-N500 (including WLAN Module Model ES202, FCC ID: AZD239 / IC: 498J-239)

This device complies with Part 15 of FCC Rules and ISCED's applicable licenceexempt RSS standard(s). Operation is subject to the following two conditions:

- (1) this device may not cause interference, and
- (2) this device must accept anyinterference, including interference that may cause undesired operation of this device.

This equipment complies with FCC/ISED radiation exposure limits set forth for an uncontrolled environment and meets the FCC radio frequency (RF) Exposure Guidelines and RSS-102 of the ISED radio frequency (RF) Exposure rules. This equipment should be installed and operated keeping the radiator at least 20 cm or more away from person's body.

This transmitter must not be co-located or operated in conjunction with any other antenna or transmitter.

FDA regulation

This Network Camera has not been evaluated by the Food and Drug Administration (FDA) for use as a medical device. When incorporated into a system with medical applications, FDA regulations may apply. Therefore, please consult your legal advisor to determine whether FDA regulations apply.

Complies with
IMDA Standards
DB00671

European Union regulatory notices:

Remote Camera, Model Name: CR-N500

Warning

This is a class A product. In a domestic environment this product may cause radio interference in which case the user may be required to take adequate measures.

Use of shielded network cable is required to comply with Class A limits in EN55032.

Wireless LAN Specifications

Frequency range: 2.401 MHz - 2.473 MHz

Maximum output power : 9.48 dBm

For EU

Hereby, Canon Inc., declares that the radio equipment type CR-N500 is in compliance with Directive 2014/53/EU. The full text of the EU declaration of conformity is available at the following internet address:
<http://www.canon-europe.com/ce-documentation>

For UK

Hereby, Canon Inc., declares that the radio equipment type CR-N500 is in compliance with the relevant statutory requirements. The full text of the declaration of conformity is available at the following internet address:
<https://www.canon-europe.com/ce-documentation/>

Only for European Union and EEA (Norway, Iceland and Liechtenstein)

These symbols indicate that this product is not to be disposed of with your household waste, according to the WEEE Directive (2012/19/EU), the Battery Directive (2006/66/EC) and/or national legislation implementing those Directives.

If a chemical symbol is printed beneath the symbol shown above, in accordance with the Battery Directive, this indicates that a heavy metal (Hg = Mercury,

Cd = Cadmium, Pb = Lead) is present in this battery or accumulator at a concentration above an applicable threshold specified in the Battery Directive.

This product should be handed over to a designated collection point, e.g., on an authorized one-for-one basis when you buy a new similar product or to an authorized collection site for recycling waste electrical and electronic equipment (EEE) and batteries and accumulators. Improper handling of this type of waste could have a possible impact on the environment and human health due to potentially hazardous substances that are generally associated with EEE. Your cooperation in the correct disposal of this product will contribute to the effective usage of natural resources.

For more information about the recycling of this product, please contact your local city office, waste authority, approved scheme or your household waste disposal service or visit www.canon-europe.com/sustainability/approach/.

CANON INC.

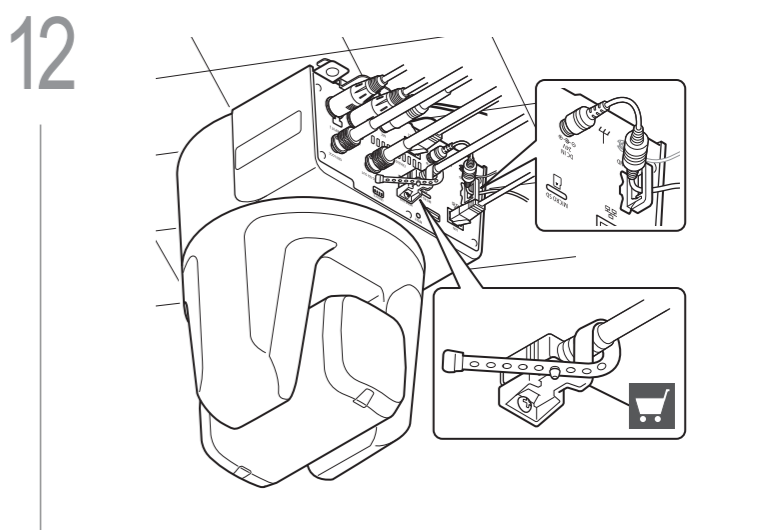
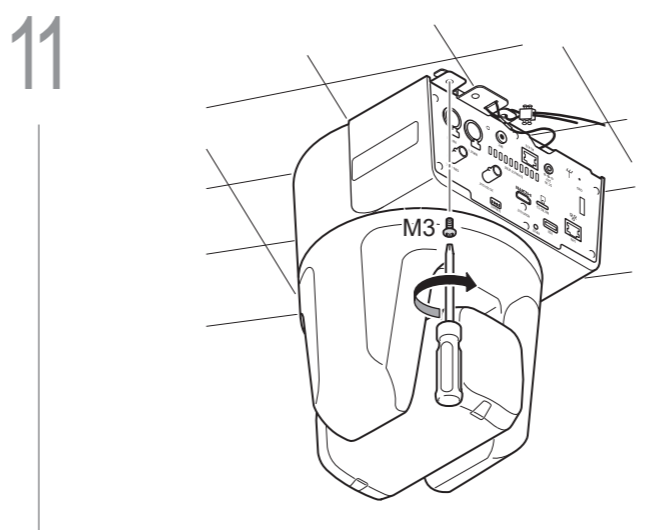
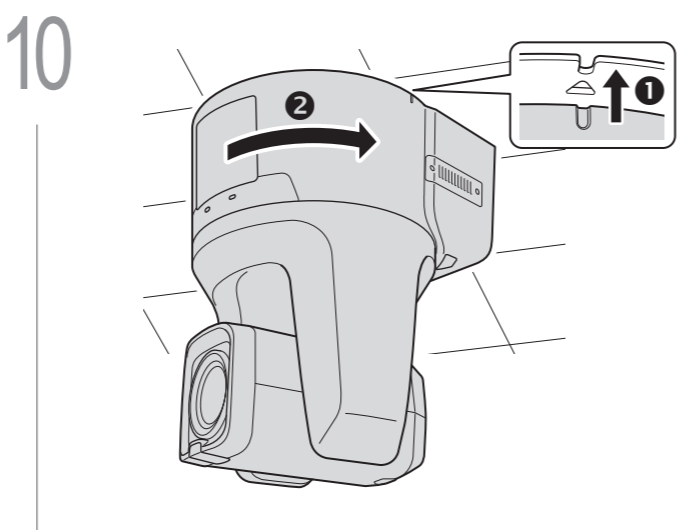
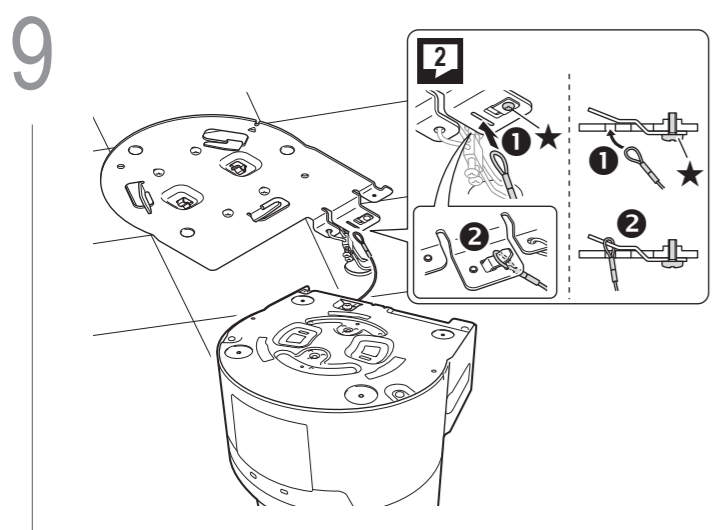
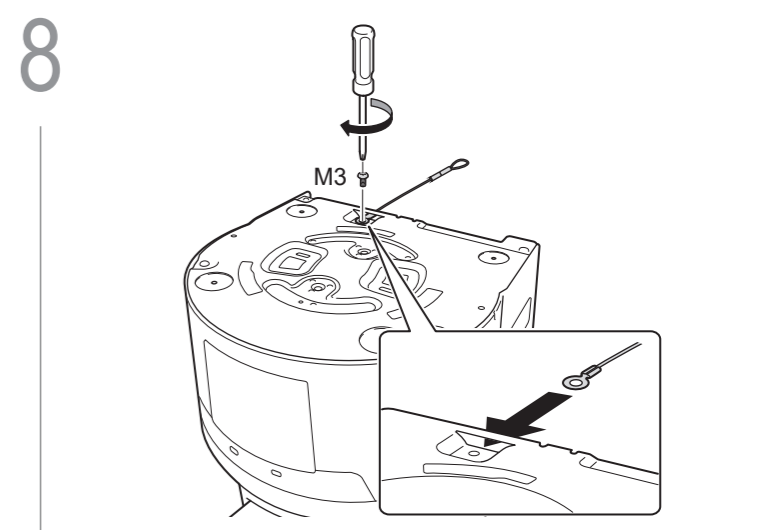
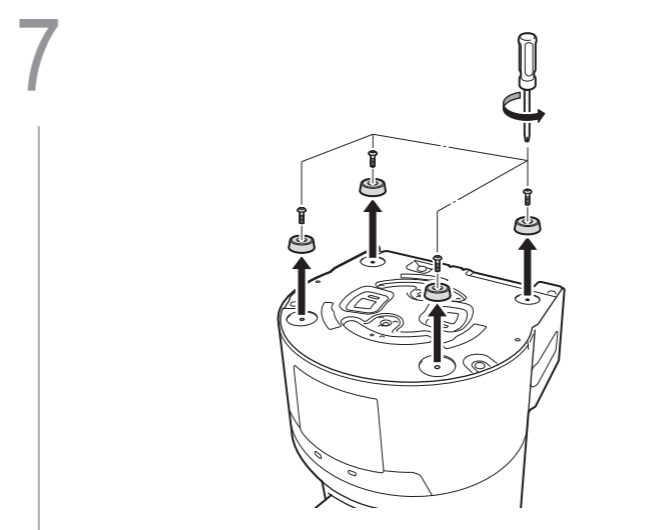
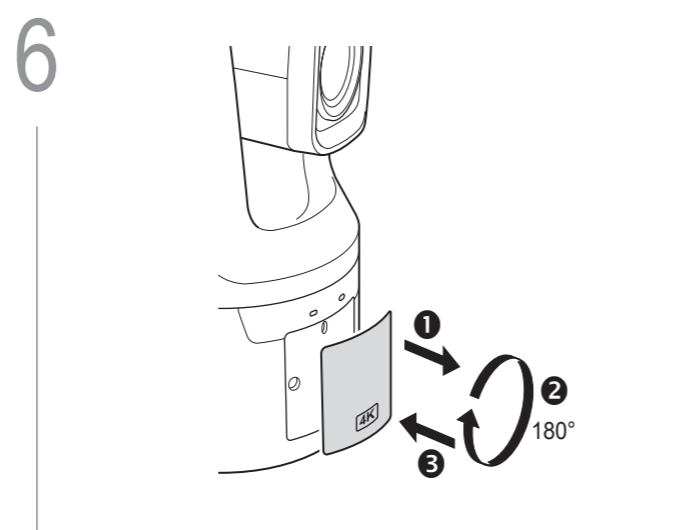
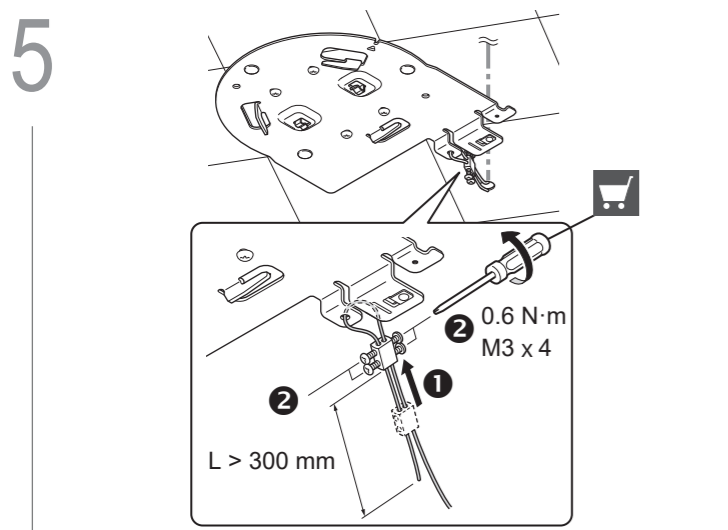
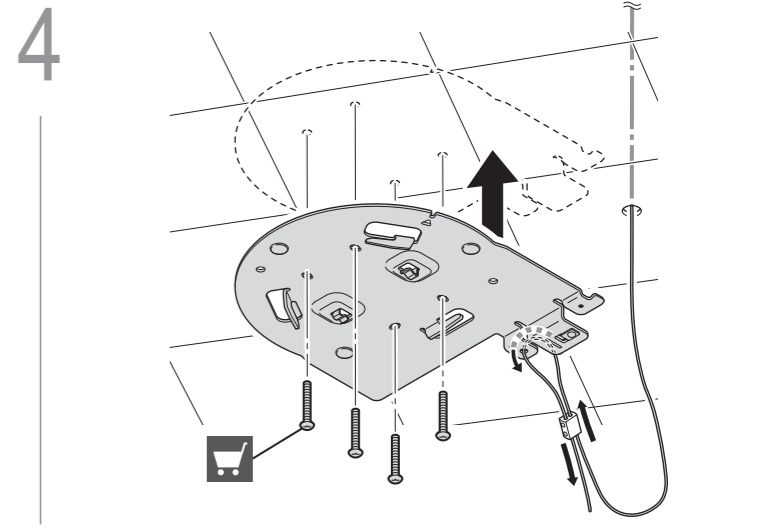
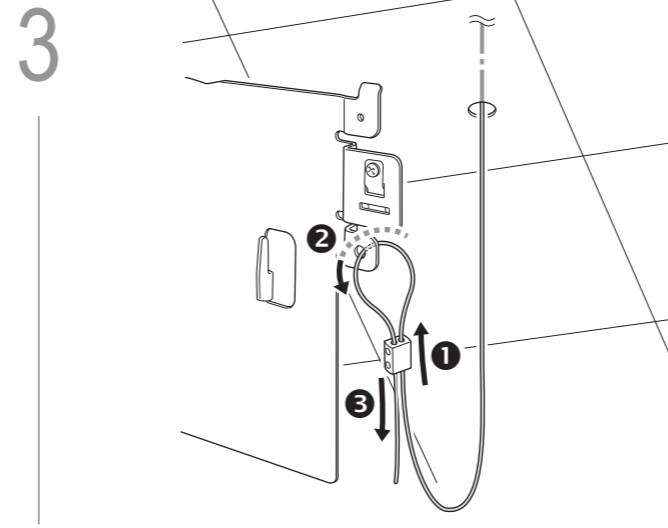
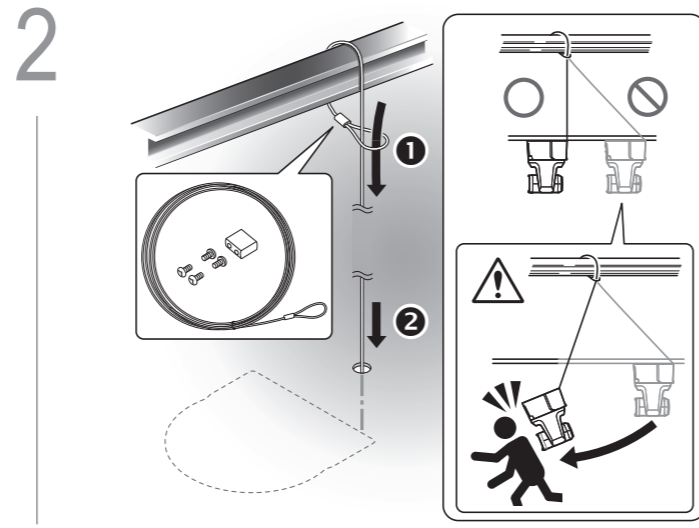
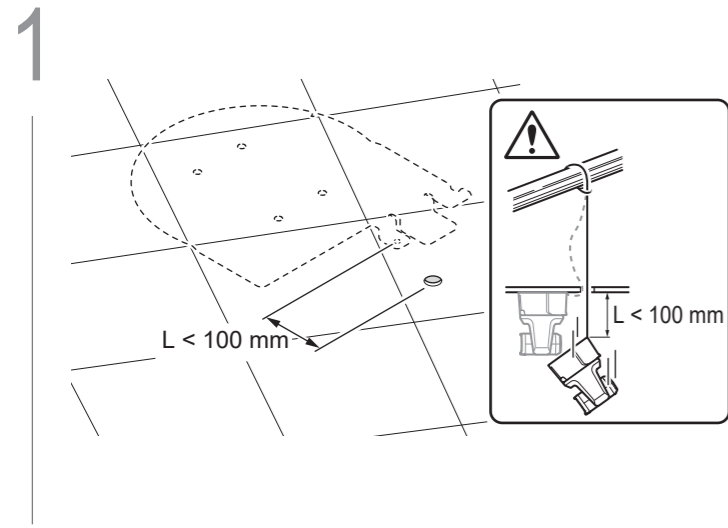
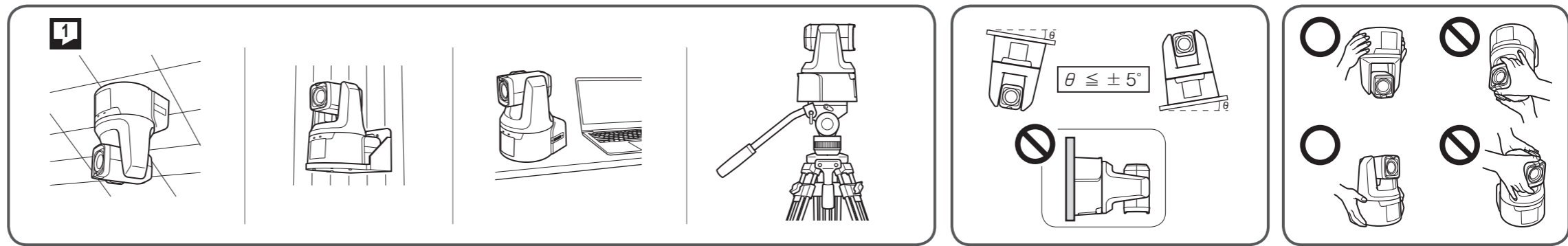
30-2, Shimomaruko 3-chome, Ohta-ku, Tokyo 146-8501, Japan

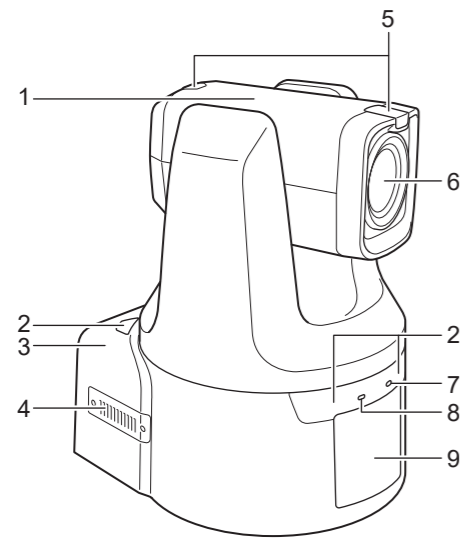
Canon U.S.A. Inc.

One Canon Park, Melville, NY 11747, U.S.A.
Tel No. 1-800-OK-CANON (1-800-652-2666)

CANON EUROPA N.V.

Bovenkerkerweg 59, 1185 XB Amstelveen, The Netherlands





JA

1. カメラヘッド / 2. 赤外線リモコン受光部 / 3. ベース / 4. 吸気口 / 5. タリーランプ / 6. レンズ / 7. STATUS ランプ / 8. POWER ランプ / 9. ロゴプレート / 10. ゴム脚 / 11. 取付用板金固定ネジ穴 / 12. 定格銘版 / 13. 三脚用ネジ穴 / 14. 排気口 / 15. 背面パネル
* 詳細は「使用説明書 重要事項・設置編 [1/2]」参照

EN

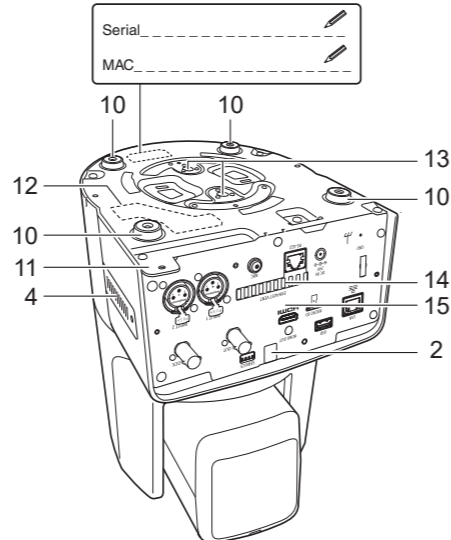
1. Camera head / 2. IR remote control receiver / 3. Base / 4. Air intake vent / 5. Tally lamp / 6. Lens / 7. STATUS indicator / 8. POWER indicator / 9. Logo plate / 10. Rubber feet / 11. Screw hole for fixing ceiling plate / 12. Rating label / 13. Screw hole for tripod / 14. Air exit vent / 15. Rear panel
* Refer to the "Installation Guide/Important Information" [1/2] for details.

DE

1. Kamerakopf / 2. Empfänger für IR-Fernbedienung / 3. Sockel / 4. Lufteinlassöffnung / 5. Kamerakontrolllampe / 6. Objektiv / 7. STATUS-Anzeige / 8. STROM-Anzeige / 9. Logoschild / 10. GummifüÙe / 11. Schraubenloch zur Befestigung der Deckenplatte / 12. Typenschild / 13. Schraubenloch für Stativ / 14. Luftauslassöffnung / 15. Rückwärtiges Bedienfeld
* Für weitere Informationen siehe „Installationshandbuch/Wichtige Informationen“ [1/2].

ES

1. Cabezal de la cámara / 2. Receptor de control remoto IR / 3. Base / 4. Entrada de ventilación / 5. Luz de recuento / 6. Objetivo / 7. Indicador de ESTADO / 8. Indicador de ENCENDIDO / 9. Plancha de logotipo / 10. Patas de goma / 11. Orificio para atornillar la plancha de techo / 12. Etiqueta de calificación / 13. Orificio para atornillar el trípode / 14. Salida de ventilación / 15. Panel trasero
* Consulte la "Guía de instalación/Información importante" [1/2] para conocer más detalles.



FR

1. tête de camera / 2. Récepteur de télécommande infrarouge / 3. Base / 4. Orifice d'admission d'air / 5. Lampe tally / 6. Objectif / 7. Indicateur d'état / 8. Indicateur d'alimentation / 9. Plaque de logo / 10. Pieds en caoutchouc / 11. Trou de vis pour plaque de fixation / 12. Étiquette constructeur / 13. Trou de vis pour trépied / 14. Orifice de sortie d'air / 15. Panneau arrière
* Consultez le « Guide d'installation/Informations importantes » [1/2] pour plus de détails.

IT

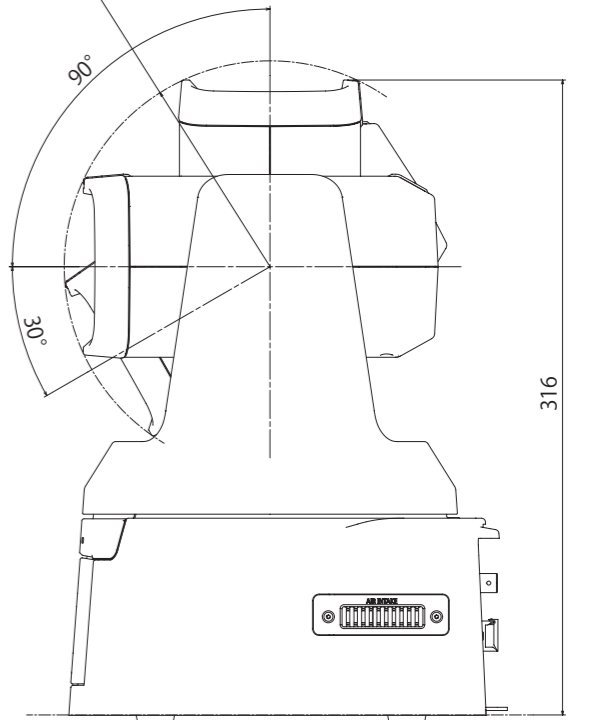
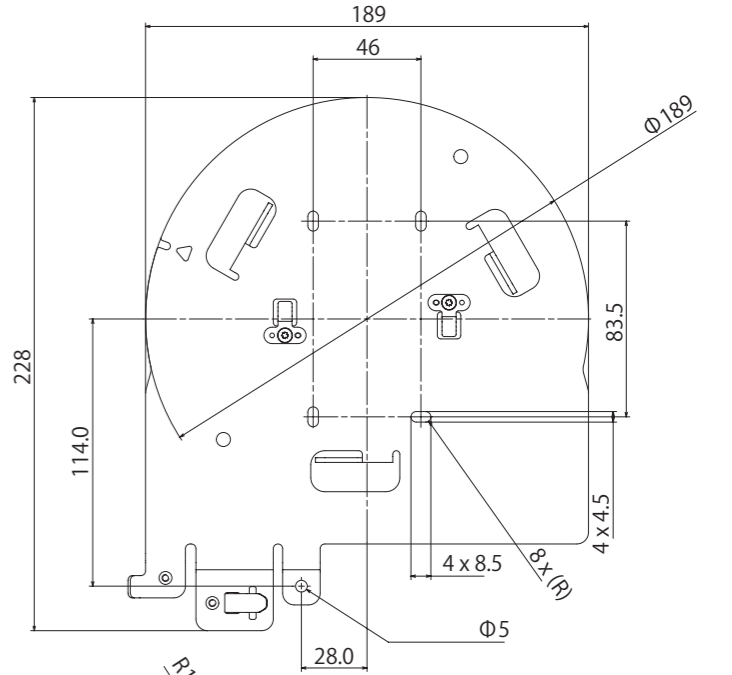
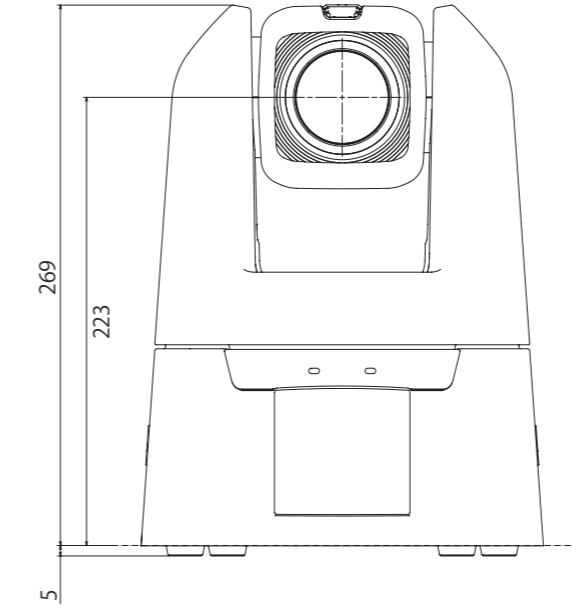
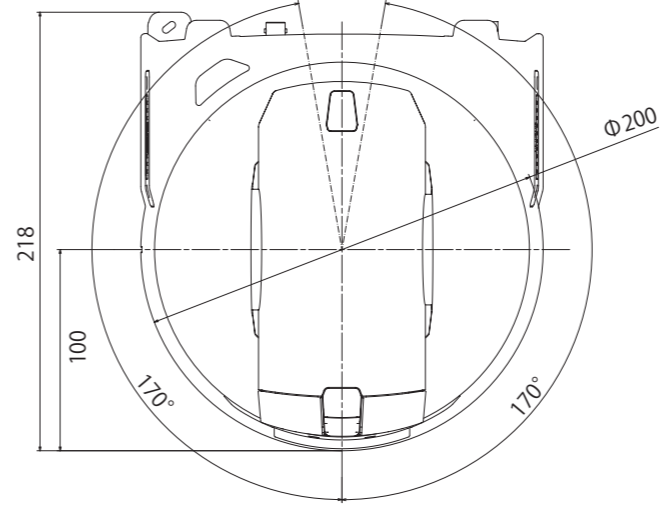
1. Testina della telecamera / 2. Ricevitore del telecomando a infrarossi / 3. Base / 4. Presa d'aria / 5. Lampada tally / 6. Obiettivo / 7. Indicatore di STATO / 8. Indicatore di ALIMENTAZIONE / 9. Piastra del logo / 10. Piedini di gomma / 11. Foro per la vite di fissaggio della piastra a soffitto / 12. Etichetta di classificazione / 13. Foro della vite per il treppiede / 14. Sfiato dell'aria / 15. Pannello posteriore
* Per i dettagli, consultare il documento "Guida all'installazione/Informazioni importanti" [1/2].

RU

1. Головка камеры / 2. ИК приемник дистанционного управления / 3. Основание / 4. Впускное вентиляционное отверстие / 5. Индикатор съемки / 6. Объектив / 7. Индикатор состояния STATUS / 8. Индикатор питания POWER / 9. Табличка с логотипом / 10. Резиновые ножки / 11. Отверстие под винт для крепления потолочной пластины / 12. Табличка с техническими данными / 13. Отверстие под винт для штатива / 14. Выпускное вентиляционное отверстие / 15. Задняя панель
* Подробности см. в документе «Руководство по установке/Важная информация» [1/2].

ZH

1. 摄像机头部 / 2. 红外线遥控接收器 / 3. 底座 / 4. 进气口 / 5. 摄像指示灯 / 6. 镜头 / 7. STATUS指示灯 / 8. POWER指示灯 / 9. 标志牌 / 10. 橡胶脚垫 / 11. 吊顶板固定螺孔 / 12. 额定铭牌 / 13. 三脚架螺孔 / 14. 排气口 / 15. 后面板
* 有关详细信息, 请参阅“安装指南/重要信息 [1/2]”



Unit: mm

1

JA 設置の手順は天井り設置で説明します。据え置き / 机上 / 三脚の設置では必要に応じて参照してください。
EN Installation procedure is explained using the ceiling mount as an example. Refer to this section as reference if necessary, for standing mount, desktop and tripod mount.
DE Der Installationsvorgang wird anhand der Deckenmontage als Beispiel erläutert. Ziehen Sie diesen Abschnitt bei Bedarf zur Referenz heran – bei Standmontage, Desktop und Stativmontage.
ES El procedimiento de instalación se explica con el montaje en techo como ejemplo. En caso necesario, consulte esta sección como referencia para el montaje de pie, en escritorio y el montaje en trípode.
FR La procédure d'installation est expliquée en prenant le support de plafond pour exemple. Si nécessaire, consultez cette section à titre de référence pour le montage sur pied, sur table ou sur trépied.
IT Per la spiegazione della procedura di installazione sarà utilizzata come esempio l'installazione a soffitto. Consultare questa sezione, se necessario, per montaggio con staffa, montaggio su tavolo e montaggio su treppiedi.
RU Процедура установки рассматривается на примере монтажа на потолке. обращайтесь к этому разделу для справок по мере необходимости при монтаже на полу, на столе или на штативе.
ZH 使用天花板安装作为示例对安装步骤进行说明。对于直立安装、桌面和三脚架安装, 必要时请参考本节。

2

JA スリットから設置用落下防止ワイヤーを通し(1)、裏側にあるフックに引っかけます(2)。ワイヤーの外し方: フック固定ネジ(★)を緩め(1)、ワイヤーをフックから逃がす方向に上下させて設置用落下防止ワイヤーを外してください(2)。
EN Pass the Camera-to-Mount Safety Wire through the slit (1) and attach it to the hook on the rear side (2). How to remove the wire: Remove the Camera-to-Mount Safety Wire by loosening the hook fixing screw (★) (1) and moving the wire upward and downward to release from the hook (2).
DE Führen Sie das Sicherungsseil zwischen Kamera und Halterung durch den Spalt (1) und befestigen Sie es an dem Haken auf der Rückseite (2). So entfernen Sie das Seil: Entfernen Sie das Sicherungsseil zwischen Kamera und Halterung durch Lösen der Hakenbefestigungsschraube (★) (1) und Auf- und Abbewegen des Seils, um es vom Haken zu lösen (2).
ES Pase el cable de seguridad de la cámara al montaje a través de la hendidura (1) y átelo al gancho situado en la parte posterior (2). Cómo retirar el cable: Para retirar el cable de seguridad de la cámara al montaje, afloje el tornillo para fijación del gancho (★) (1) y mueva el cable hacia arriba y hacia abajo para soltarlo del gancho (2).

FR Faites passer le fil de sécurité reliant la caméra au support dans la fente (1) et fixez-le au crochet situé à l'arrière (2). Pour retirer le fil: Retirez le fil de sécurité reliant la caméra au support en desserrant la vis de fixation du crochet (★) (1) et en déplaçant le fil vers le haut et vers le bas pour le dégager du crochet (2).
IT Passare il cavo di sicurezza dalla telecamera al supporto di montaggio nella fessura (1) e collegarlo al gancio nella parte posteriore (2). Come rimuovere il cavo: rimuovere il cavo di sicurezza dalla telecamera al supporto di montaggio allentando la vite di fissaggio del gancio (★) (1) e muovendo il cavo verso l'alto e il basso per staccare il gancio (2).
RU Проведите предохранительную проволоку, соединяющую камеру с креплением, через прорезь (1) и прикрепите ее к крючку на задней стороне (2). Порядок снятия проволоки: снимите предохранительную проволоку, соединяющую камеру с креплением, ослабив крепежный винт крючка (★) (1) и перемещая проволоку вверх и вниз, чтобы высвободить ее с крючка (2).
ZH 将安装用安全钢丝从细缝穿过(1), 然后将其挂在后方的挂钩上(2)。如何取下钢丝: 通过松开挂钩固定螺丝(★) (1), 然后上下移动钢丝以从挂钩上脱离来取下安装用安全钢丝(2)。

